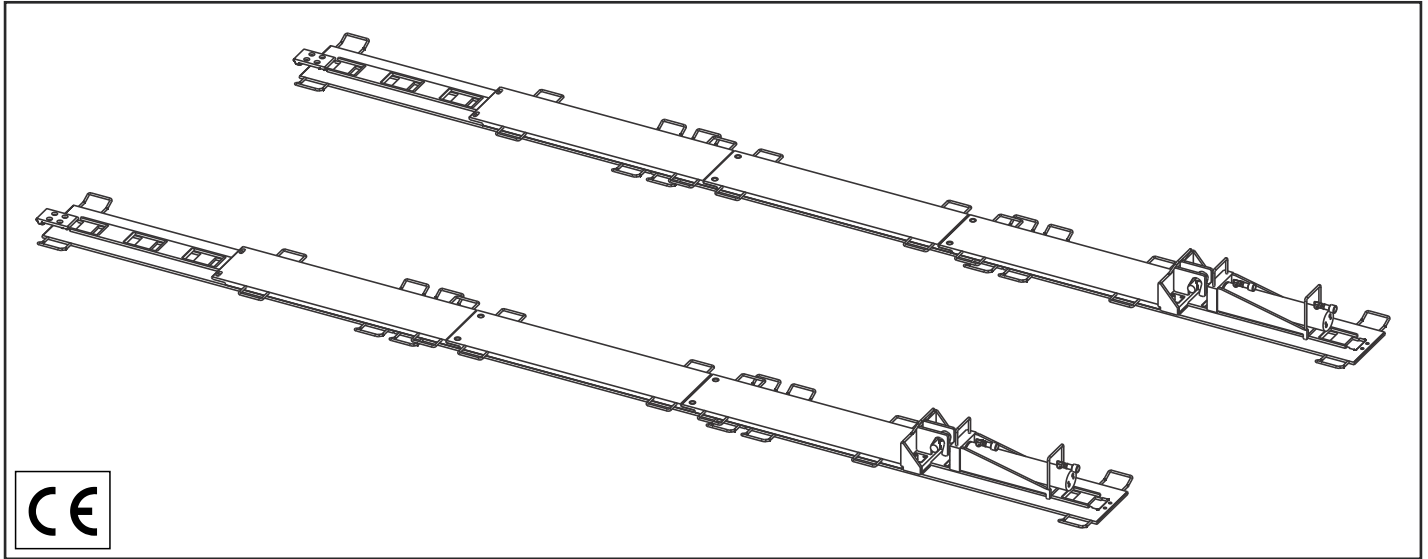


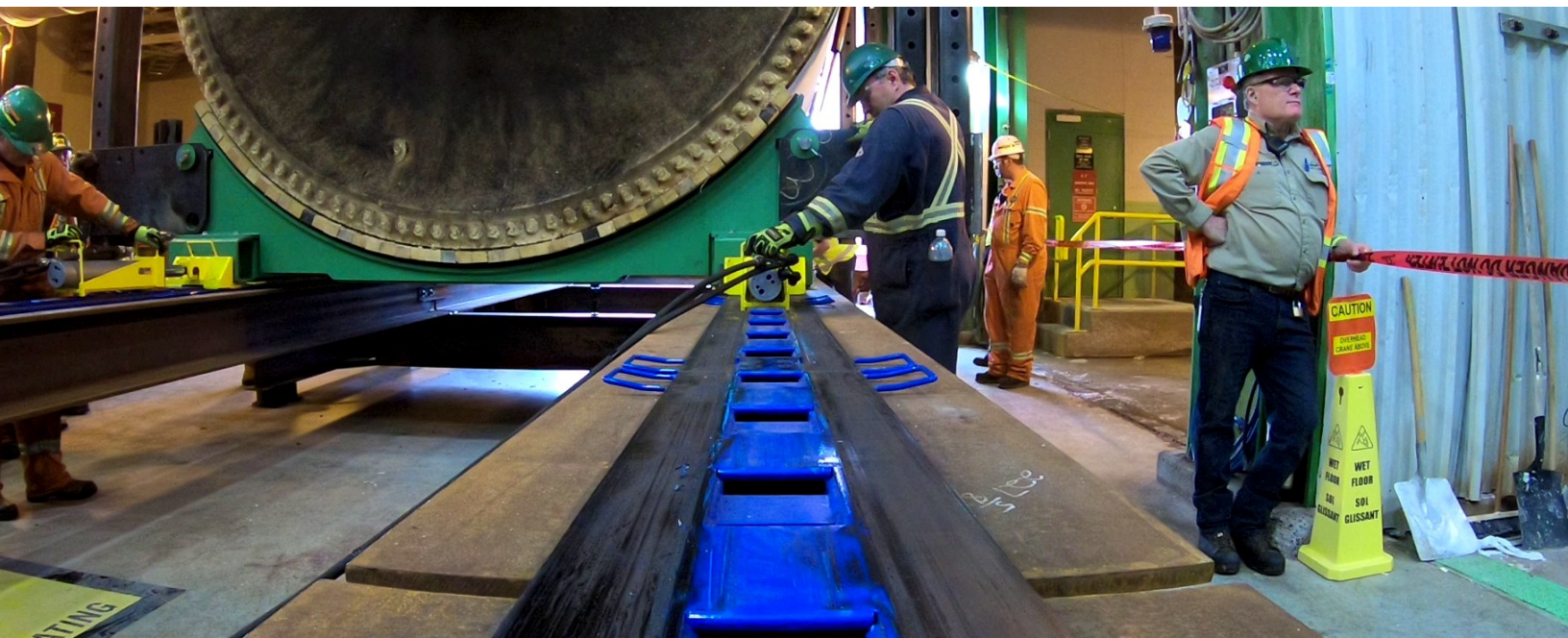
# LP350

## LOW PROFILE SKIDDING SYSTEM



### Low Profile System Features

- A safer alternative to overhead lifting or rollers
- No come-alongs, winch lines, or hold backs required
- Completely hand-portable
- Bi-directional track
- Quick & simple connections
- Cylinders automatically reset into ratchet tracks
- Low profile - perfect for areas with limited space and access
- Leap frog tracks to move longer distances
- Low-maintenance steel & graphite slide surface
- Can be operated with most 700 bar double-acting pumps, but synchronous pumps are recommended
- Engineered stamped General Arrangement drawing provided





# LP350

## LOW PROFILE SKIDDING SYSTEM

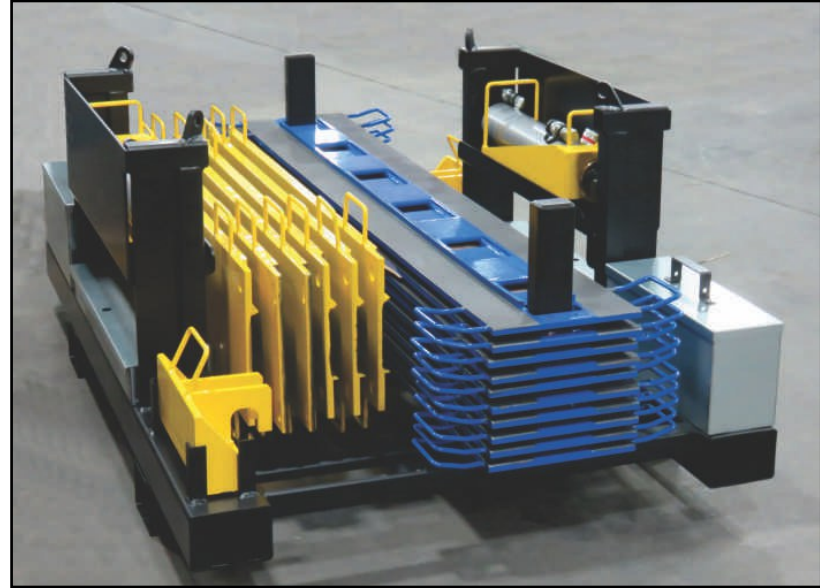


### LP350 Specifications

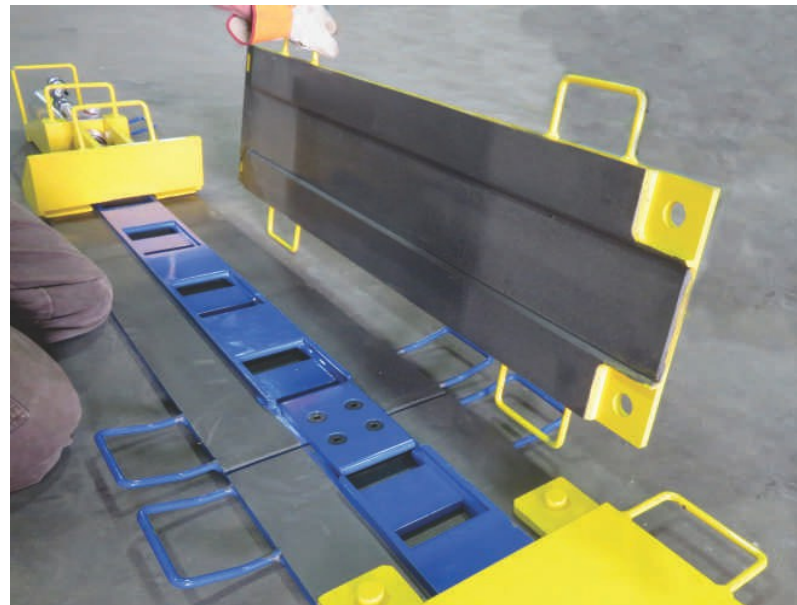
Skidding Push Capacity*	<b>350 ton</b> 318 tonne
Cylinder Capacity	<b>30 ton</b> 27 tonne
Cylinder Push/Pull Stroke	<b>14.25"</b> 362 mm
Cylinder Hydraulic Couplers	Enerpac CR400 (female)
Skidding Speed**	<b>90 ft/hr</b> 28 m/hr
System Coefficient of Friction	<b>15-20%</b>
Slide Surface Material	Graphite
Maximum Slope	<b>+/- 2%</b>
Track Alignment Tolerance	<b>+/- 0.25"</b> +/- 6 mm
Maximum Operating Pressure	<b>10,000 psi</b> 700 bar

\*Based on standard system with (2) push cylinders

\*\*Speed determined using Hydra-Pac 20-2-4D HPU



All system components are stored in a steel storage box for convenience and easy transportation.



LP350 Dimensions	Length	Width	Height	Weight
Track Section	<b>72"</b> 1.83 m	<b>19"</b> 480 mm	<b>1"</b> 25 mm	<b>120 lb</b> 54 kg
Slider Plate	<b>42"</b> 1.07 m	<b>19"</b> 480 mm	<b>1"</b> 25 mm	<b>125 lb</b> 56 kg
Cylinder Assembly	<b>27"</b> 690 mm	<b>6.5"</b> 170 mm	<b>9"</b> 230 mm	<b>100 lb</b> 45 kg
LP350 System in Storage Box	<b>76"</b> 1.93 m	<b>48"</b> 1.22 m	<b>31"</b> 790 mm	<b>3750 lb</b> 1700 kg